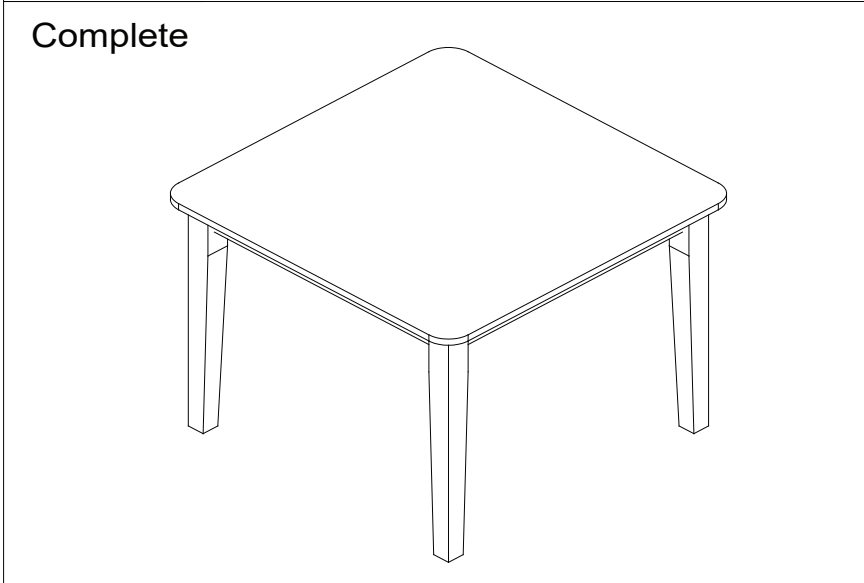
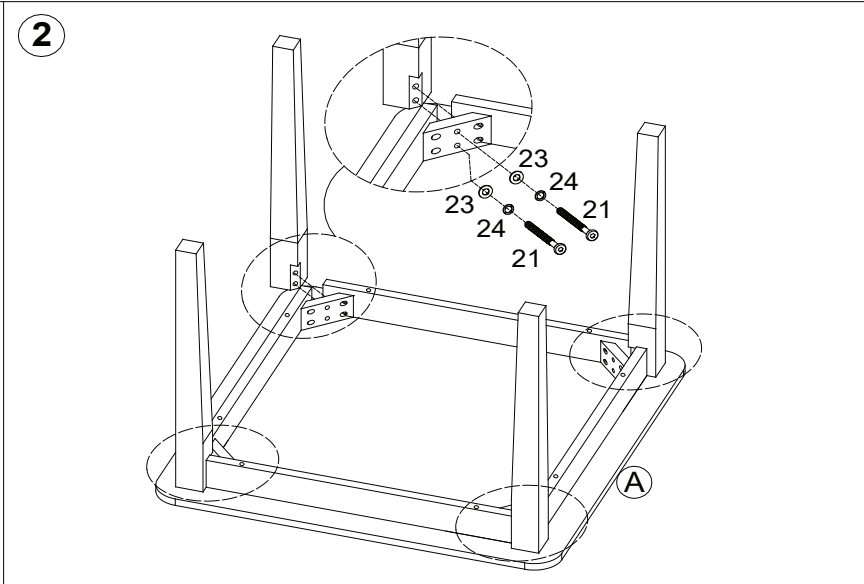
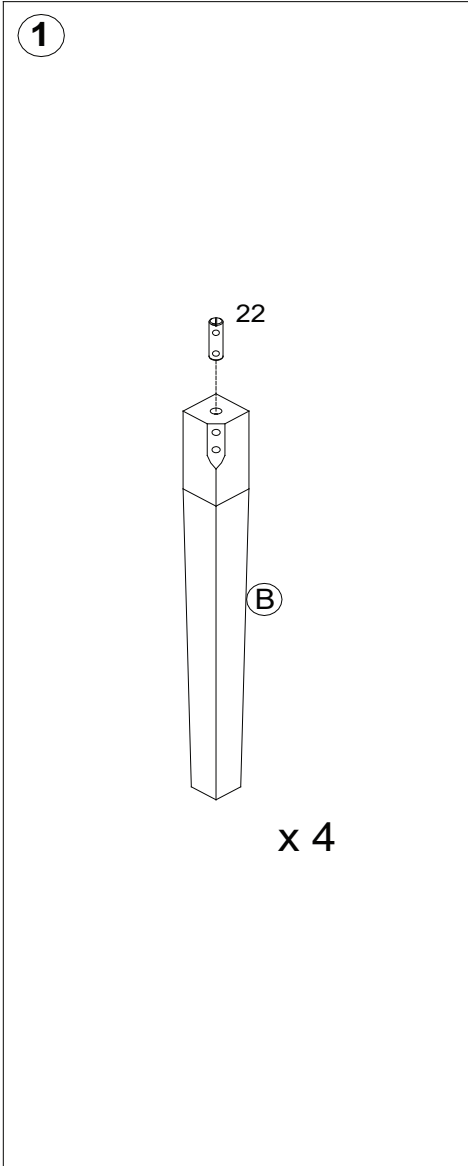


READ CAREFULLY AND KEEP FOR FUTURE REFERENCE
 ASSEMBLY INSTRUCTION
 MT7851



PART LIST			
A			x1
B			x4
21	63 mm		x8
22		24	
	x4		x8
23		FF	
	x8		x1

- Full assembly Instructions Including a list of components and tools required
- Assembly to be carried out by a competent adult only.
- During assembly children should be kept away from the product due to possible risk on injury.
- Do not use this item if any components are missing or damaged.
- Maximum weight limit 30 kgs