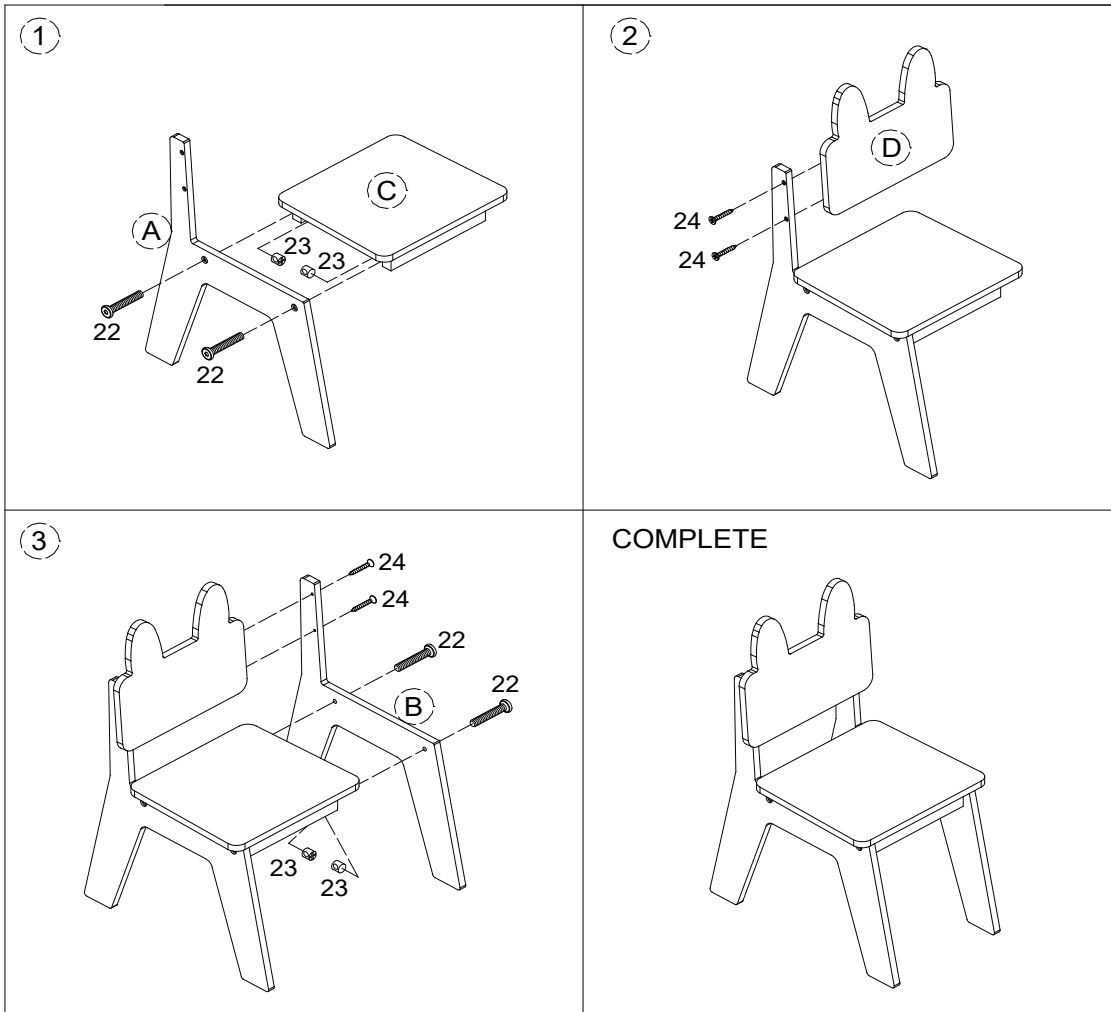
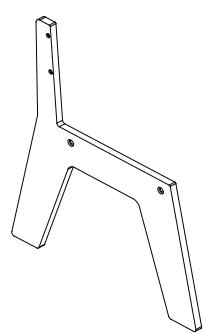
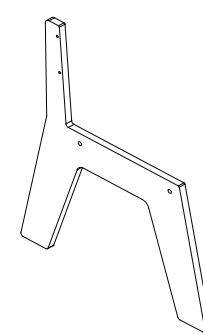
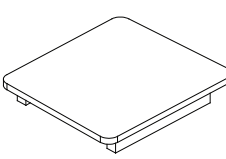
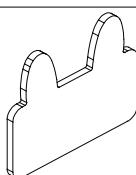
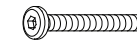





READ CAREFULLY AND KEEP FOR FUTURE REFERENCE
ASSEMBLY INSTRUCTION
MT7853



PART LIST				
	A		B	
		1 X		1 X
	C		D	
		1 X		1 X
	22		23	
		43 MM		4 X
	24		FF	
		25 MM		1 X

- Full assembly Instructions Including a list of components and tools required
- Assembly to be carried out by a competent adult only.
- During assembly children should be kept away from the product due to possible risk on injury.
- Do not use this item if any components are missing or damaged.
- Maximum weight limit 30 kgs

WARNING

DO NOT place this product near a window as it can be used as step by the child and cause the child to fall out of the window
 Be aware of the risk of open fires and other sources of strong heat in the vicinity of the product
 DO NOT place this product near a window where cords from blinds or curtains could strangle a child

Additional Information

- BS EN 17191:2021
- Suitable for children age 3-6 years
- An assembly drawing list and description of parts and tools required for assembly and a diagram of the bolts and other fastenings required
- All assembly fittings should always be tightened properly
- Not to use the seating if any parts is broken, torn or missing and use only spare parts approved by the manufacturer