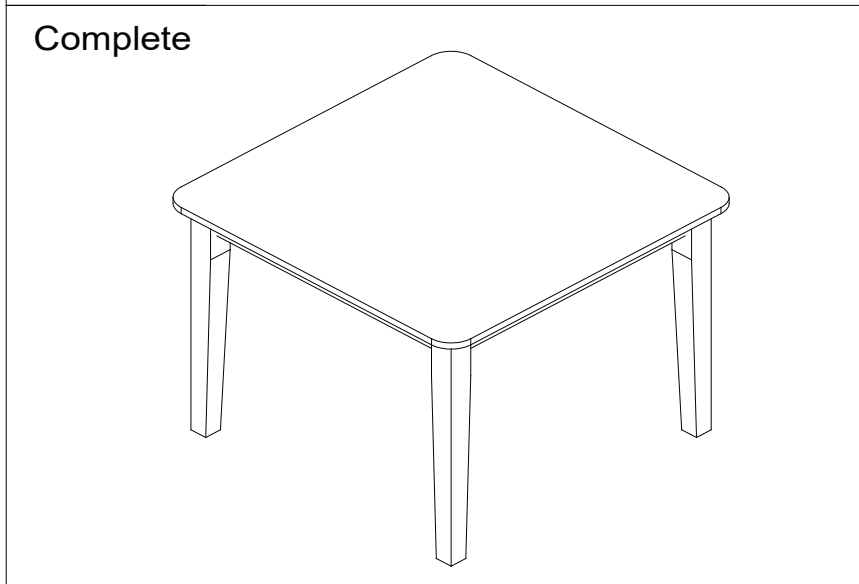
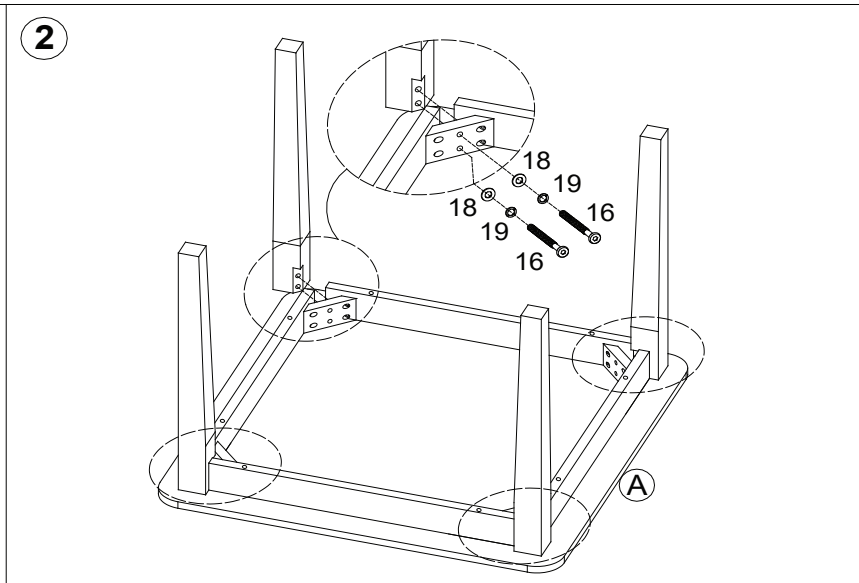
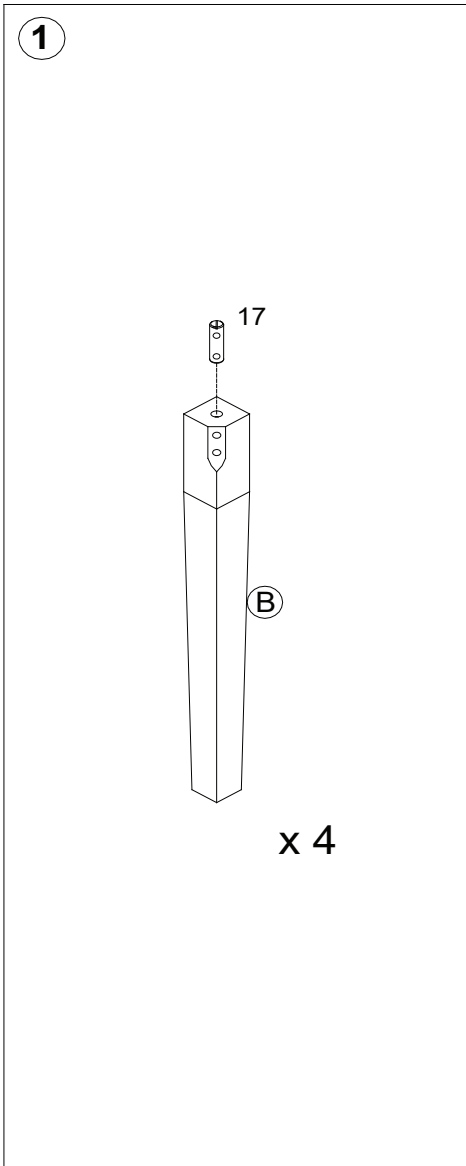


IMPORTANT! READ CAREFULLY AND KEEP FOR FUTURE REFERENCE
ASSEMBLY INSTRUCTION
 MT7861



PART LIST			
A			x1
B			x4
16	 63 mm		x8
17	 x4	19	 x8
18	 x8	FF	 x1

- Full assembly Instructions Including a list of components and tools required
- Assembly to be carried out by a competent adult only.
- During assembly children should be kept away from the product due to possible risk on injury.
- Do not use this item if any components are missing or damaged.
- Maximum weight limit 30 kgs