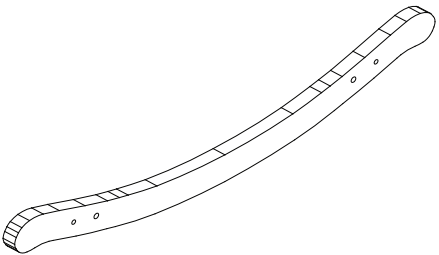
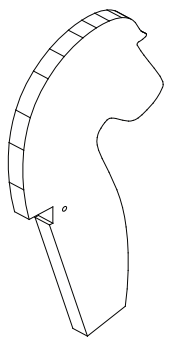
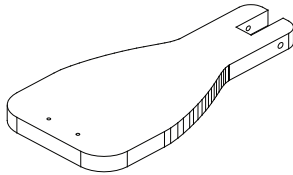
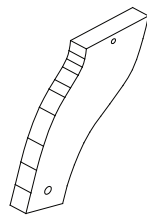
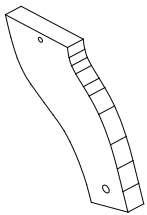
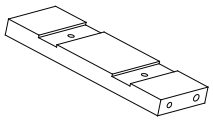
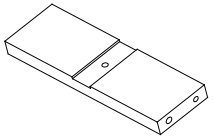
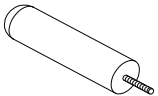
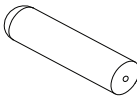
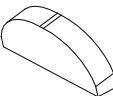
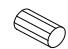



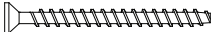




ASSEMBLY INSTRUCTION

MT7953

A		B	C	D	E
					
x2		x1	x1	x1	x1
F	G	H	I	J	K
					
x1	x1	x2	x2	x1	x4
FF	21	22	23	24	25
	 53 mm	 87 mm	 50 mm	 12.5 mm	
x1	x9	x1	x2	x1	x9

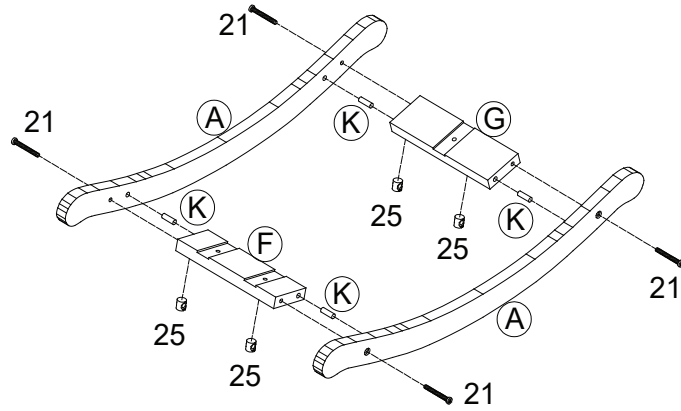
⚠ WARNING:

- 1) ADULT ASSEMBLY REQUIRED. This package contains small parts which are for adult assembly only.
- 2) Maximum load bearing weight: 20 kgs.
- 3) Please DO NOT play on the rugged ground and road.
- 4) Adult's company is required when playing.
- 5) Please wipe and clean by dry cloth.
- 6) Please keep this information for any possible correspondence.

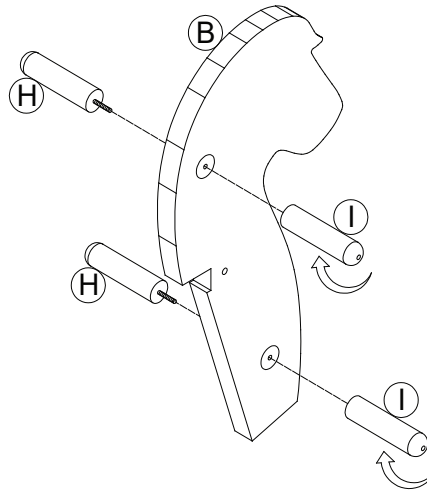
ASSEMBLY INSTRUCTION

MT7953

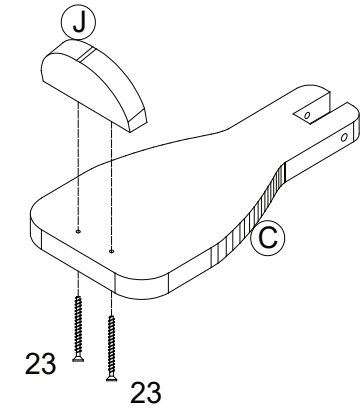
①



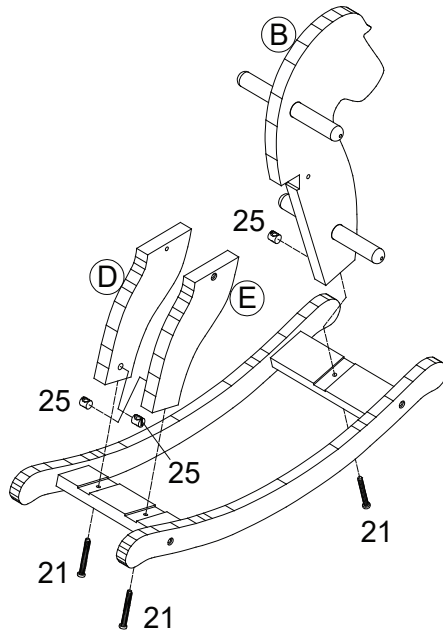
②



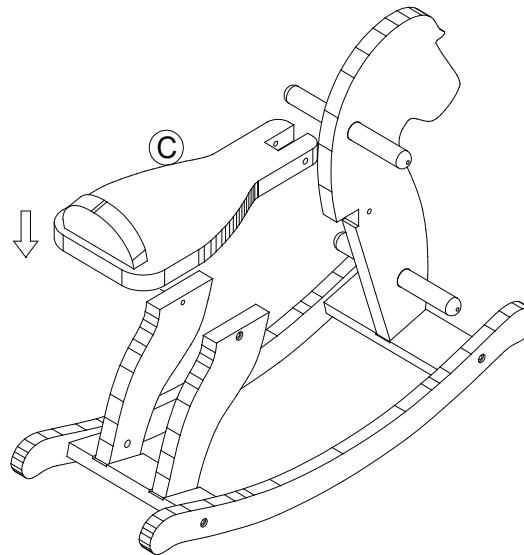
③



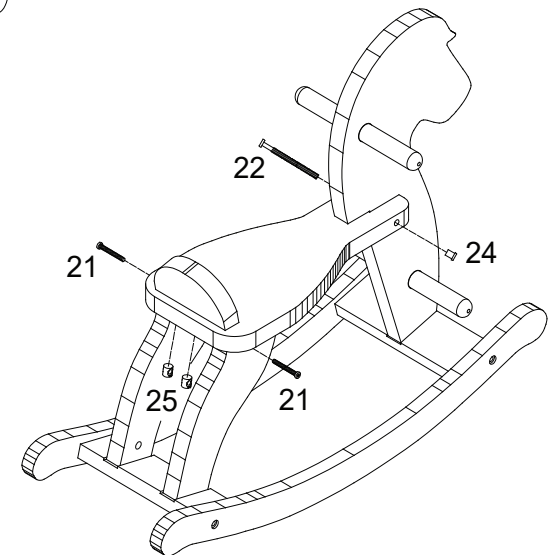
④



⑤



⑥



ADULT ASSEMBLY REQUIRED. This package contains small parts which are for adult assembly only. Please make sure all screws and bolts are securely fastened during assembly. Upon completion please double check before using the toy. Failure to follow assembly instruction will cause damages to the toy and potentially result in an injury to children.