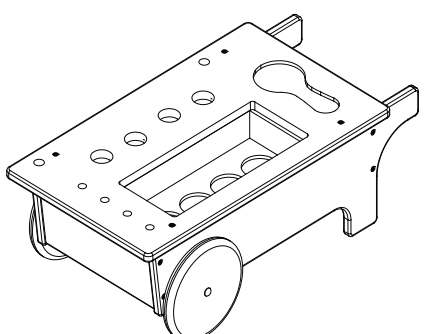
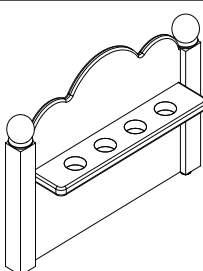
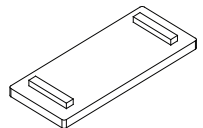
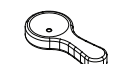
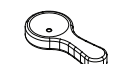
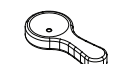




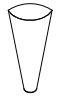
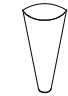






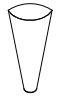
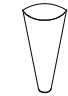






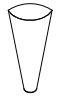
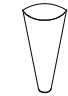




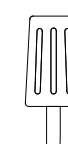
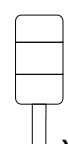


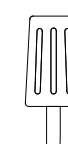
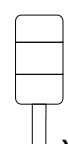


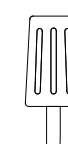
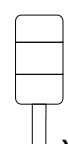


PART LIST / PARTI COMPONENTE											
A	 <p>x1</p>										
B	 <p>x1</p>										
C	 x1 <table border="1" style="display: inline-table; vertical-align: middle;"> <tr> <td>P1</td> <td></td> </tr> <tr> <td></td> <td>x1</td> </tr> </table>	P1			x1						
P1											
	x1										
P2	<table border="0"> <tr> <td> x1</td> <td> x1</td> <td> x1</td> <td> x1</td> <td></td> </tr> <tr> <td> x1</td> <td> x1</td> <td> x1</td> <td> x1</td> <td>=8</td> </tr> </table>	 x1	 x1	 x1	 x1		 x1	 x1	 x1	 x1	=8
 x1	 x1	 x1	 x1								
 x1	 x1	 x1	 x1	=8							
P3	<table border="0"> <tr> <td> x1</td> <td> x1</td> <td> x1</td> <td> x1</td> <td>=4</td> </tr> </table>	 x1	 x1	 x1	 x1	=4					
 x1	 x1	 x1	 x1	=4							