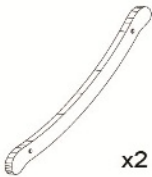














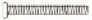
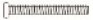
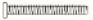
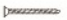





A	B	C	D	E	F	G	
 x2	 x2	 x2	 x1	 x1	 x2	 x1	
H	I	J	K	L	M	N	
 x1	 x1	 x1	 x1	 x1	 x1	 x1	
O	24	25	26	27	28	29	FF
 x4	 53 mm x1	 53 mm x8	 53 mm x12	 35 mm x2	 x2	 x19	 x1

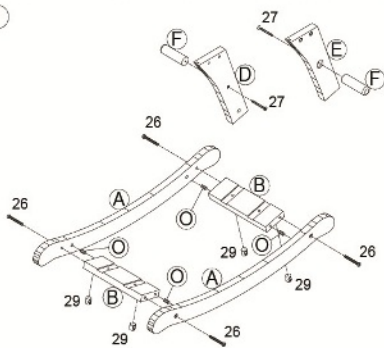
⚠ WARNING:

- 1) ADULT ASSEMBLY REQUIRED. This package contains small parts which are for adult assembly only.
- 2) Maximum load bearing weight: 20 kgs.
- 3) Please DO NOT play on the rugged ground and road.
- 4) Adult's company is required when playing.
- 5) Please wipe and clean by dry cloth.
- 6) Please keep this information for any possible correspondence.

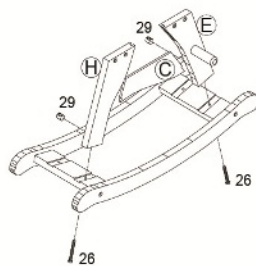
ASSEMBLY INSTRUCTION

TL8592

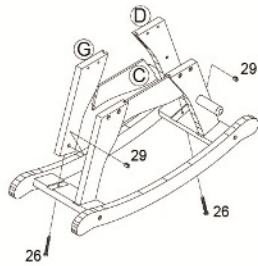
①



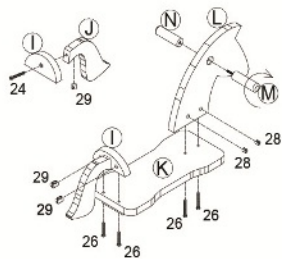
②



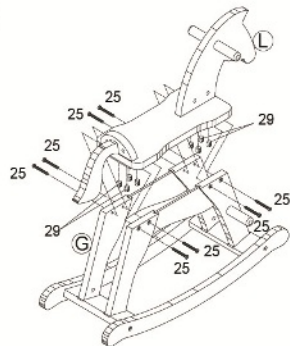
③



④



⑤



Complete

