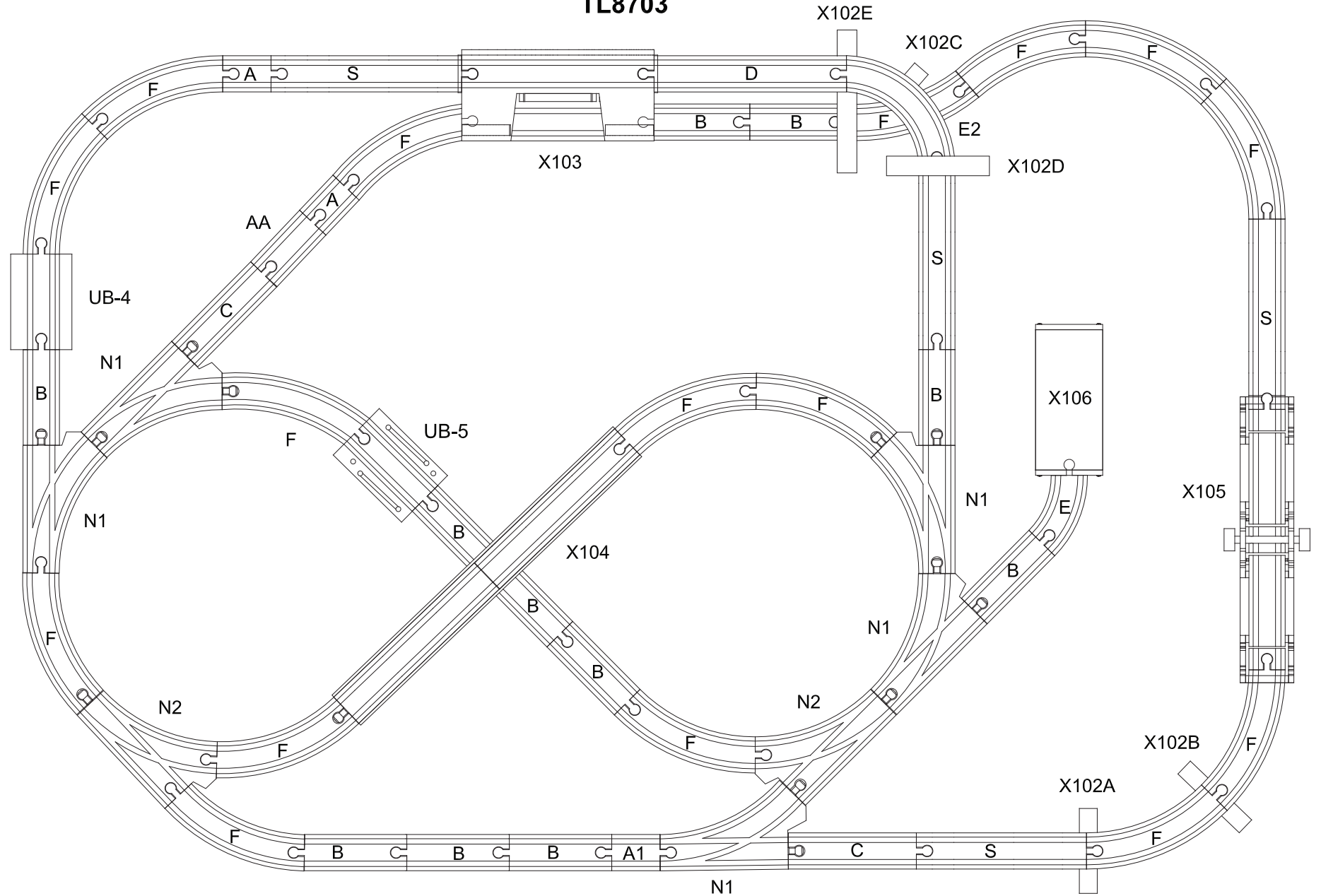


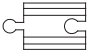
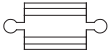
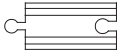
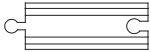
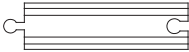
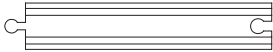



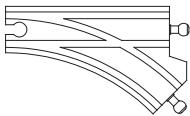
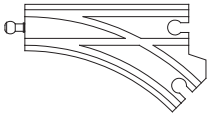

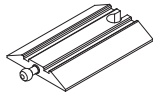
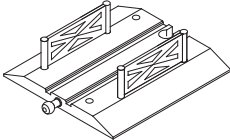
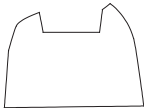
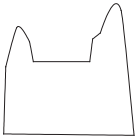

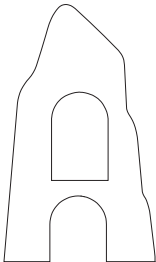
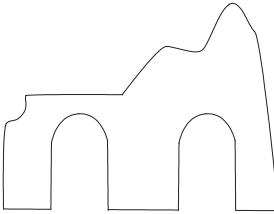
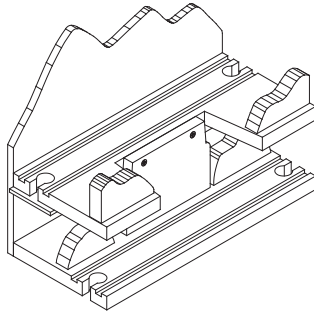
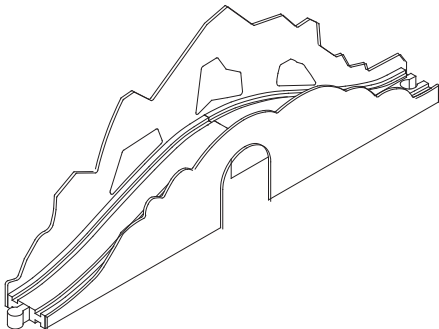
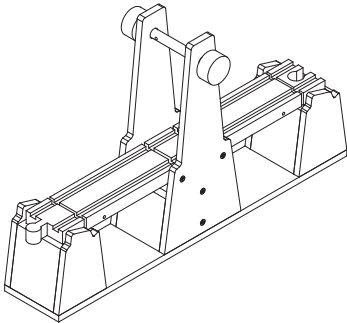
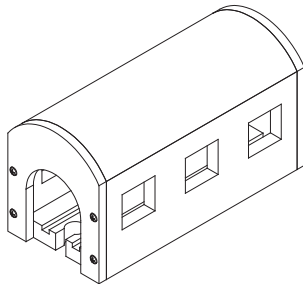
ASSEMBLY INSTRUCTION / INSTRUCTIUNI DE ASAMBLARE

TL8703





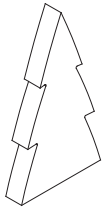

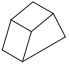
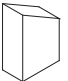

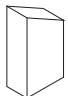
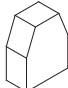
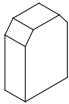
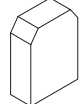
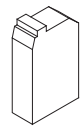

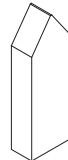
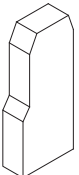
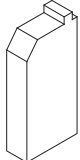
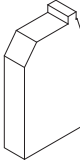
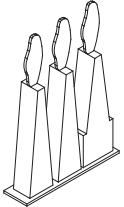
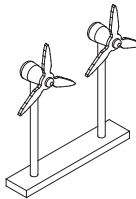
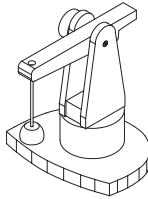

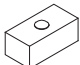
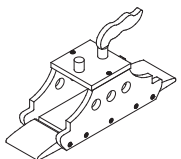



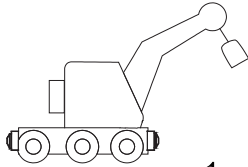
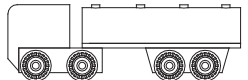

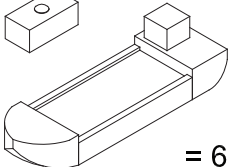
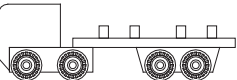
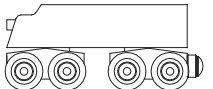
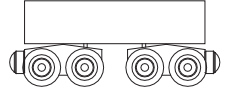
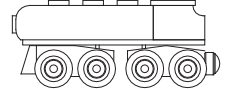
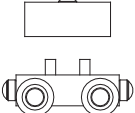
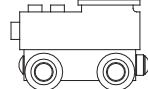
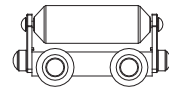
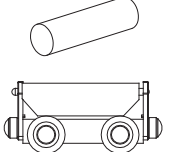
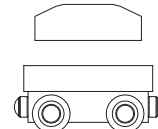



ADULT ASSEMBLE / ASAMBLARE DE ADULTI

PART LIST / LISTA PARTI COMPONENTE
TL8703

A	A1	AA	B	C	D	E
 <p align="right">x 2</p>	 <p align="right">x 1</p>	 <p align="right">x 1</p>	 <p align="right">x 11</p>	 <p align="right">x 2</p>	 <p align="right">x 1</p>	 <p align="right">x 1</p>
E2	F	N1	N2	S	UB-4	UB-5
 <p align="right">x 1</p>	 <p align="right">x 16</p>	 <p align="right">x 5</p>	 <p align="right">x 2</p>	 <p align="right">x 4</p>	 <p align="right">x 1</p>	 <p align="right">x 1</p>
X102A	X102B	X102C	X102D	X102E	X103	
 <p align="right">x 1</p>	 <p align="right">x 1</p>	 <p align="right">x 1</p>	 <p align="right">x 1</p>	 <p align="right">x 1</p>	 <p align="right">x 1</p>	
X104		X105			X106	
 <p align="right">x 1</p>		 <p align="right">x 1</p>			 <p align="right">x 1</p>	

ACCESORIES / ACCESSORI

TL8703

201A1	201A2	201A3	201J	401F1-3	401G1	401G2	
 x 1	 x 1	 x 1	 x 1	 x 3	 x 1	 x 2	
401H1-3	401I1-3	401J	401K	401L	401M	401N	
 x 3	 x 3	 x 1	 x 1	 x 1	 x 1	 x 1	
401P	401Q	401R	401S	401T	401U	601J	
 x 1	 x 1	 x 1	 x 1	 x 1	 x 1	 x 1	
601K	601L	601M	601N	601O	601P	601Q	601R
 x 5	 x 1	 x 1	 x 1	 x 1	 x 1	 x 1	 x 2
 = 6							 x 1 = 3
601S	601T	601U	601V	601W	601X	601Y	601Z
 x 1	 x 2	 x 1	 x 2	 x 1	 x 1	 x 1	 x 1
			 x 2 = 4			 x 1 = 2	 x 1 = 2

ASSEMBLY INSTRUCTION / INSTRUCTIUNI DE ASAMBLARE

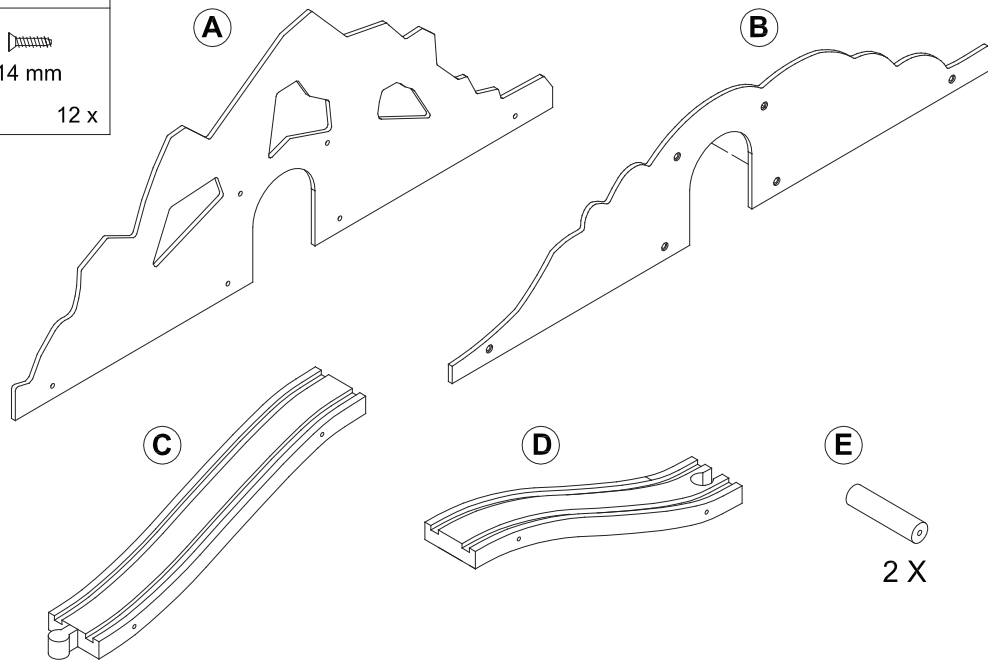
X104

HARDWARE

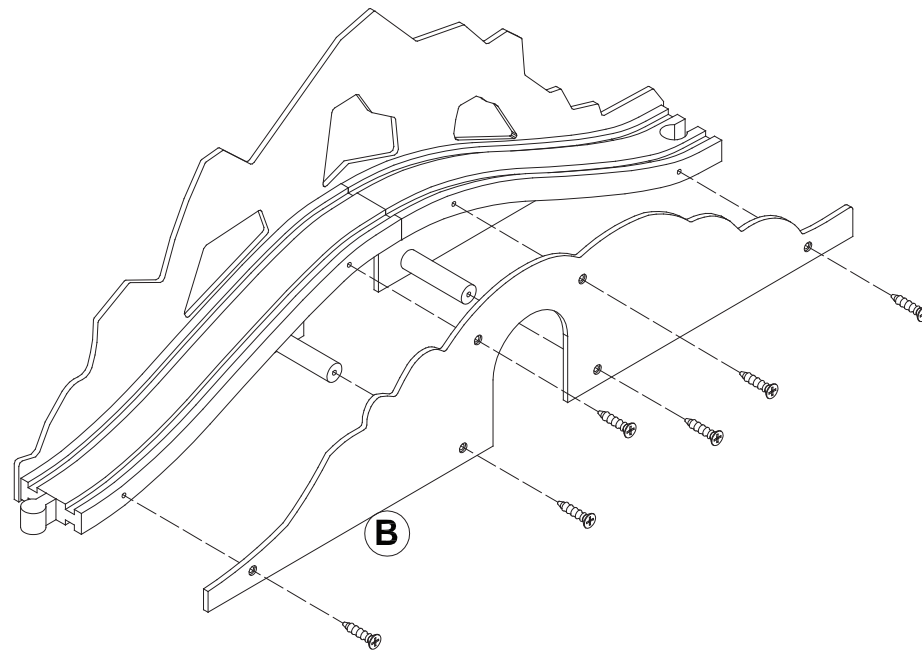


14 mm

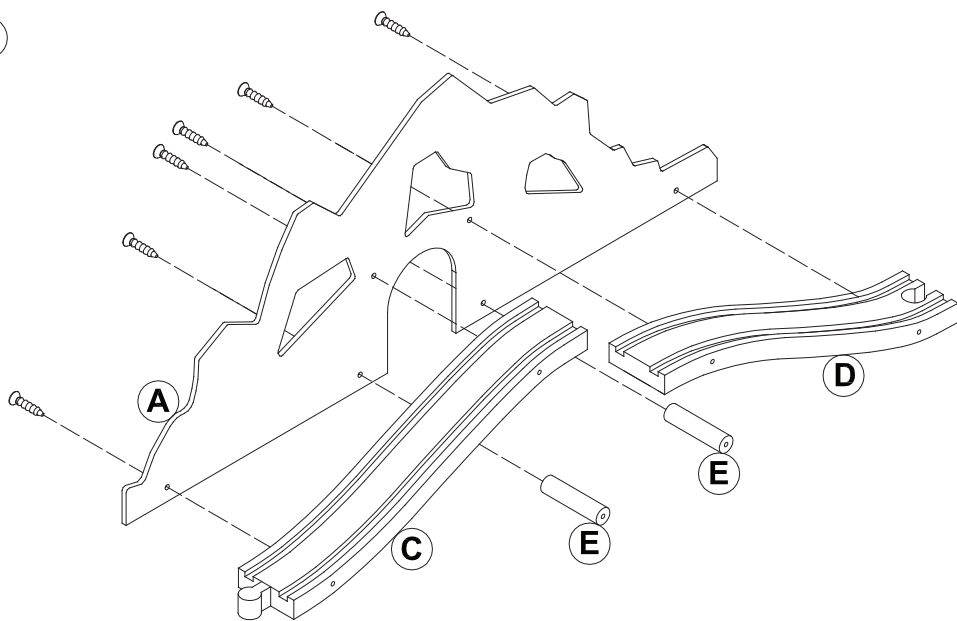
12 x



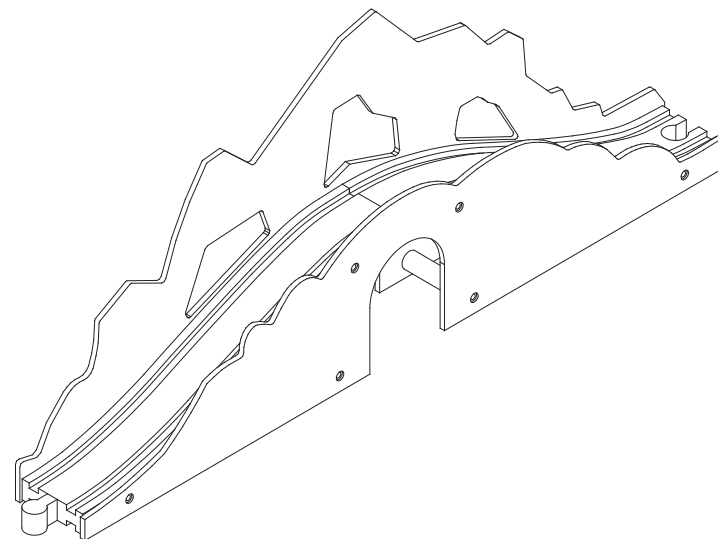
2



1



Complete



ADULT ASSEMBLE / ASAMBLARE DE ADULTI